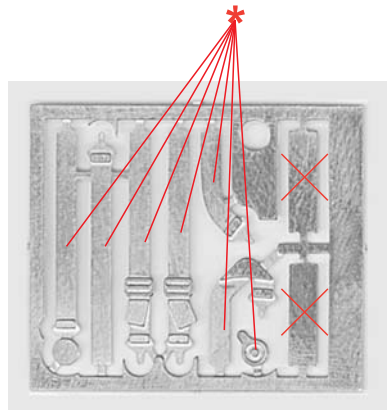
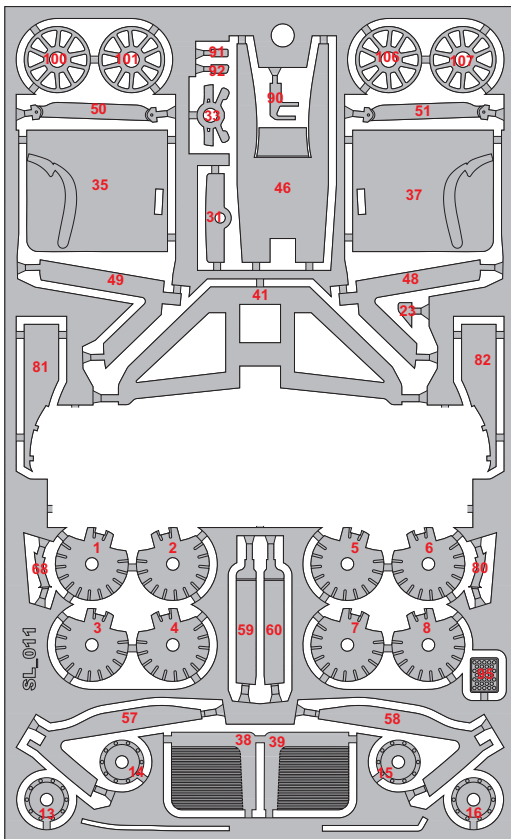
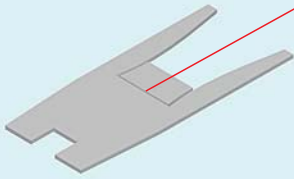


SilverLine

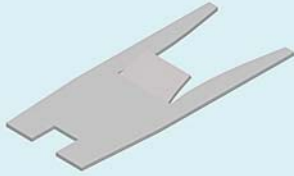
SLK012 WilliamsF1 BMW FW26 MONACO G.P. 2004



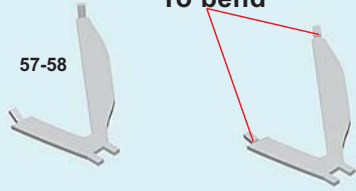
To bend



45

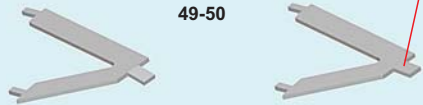


To bend



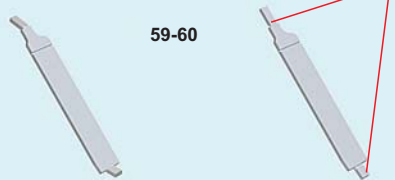
57-58

To bend



49-50

To bend



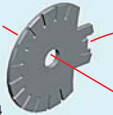
59-60

To bend



68-80

1-2-3-4
TAMIYA
X10



5-6-7-8
TAMIYA
X10



13-14-15-16
TAMIYA
X11



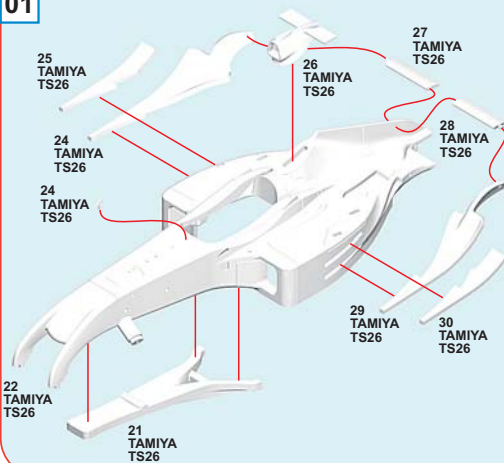
9-10-11-12
TAMIYA
X31



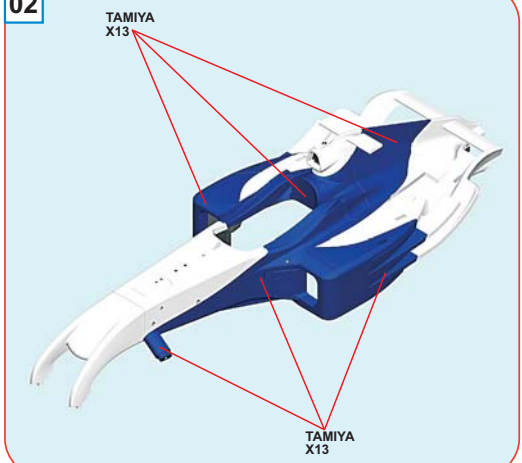
17-18-19-20
TAMIYA
X11



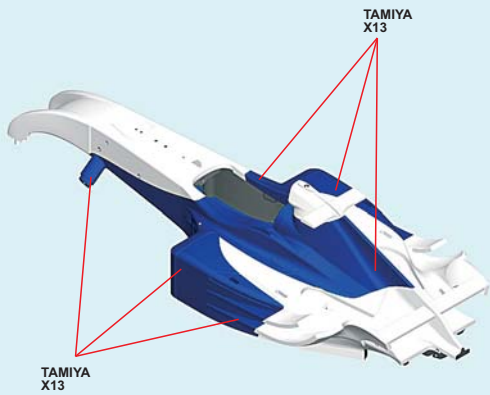
01



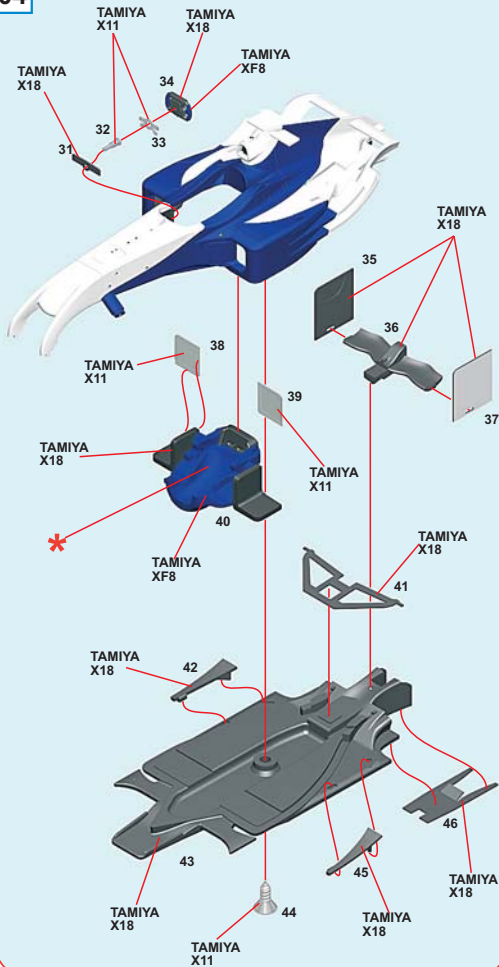
02



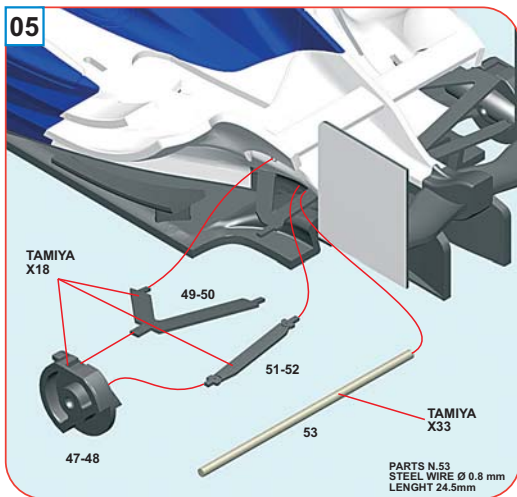
03



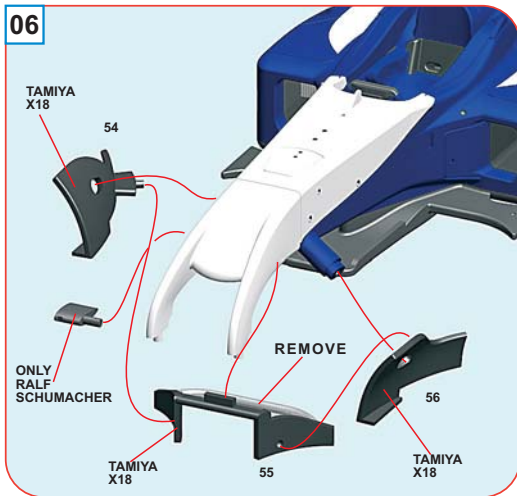
04



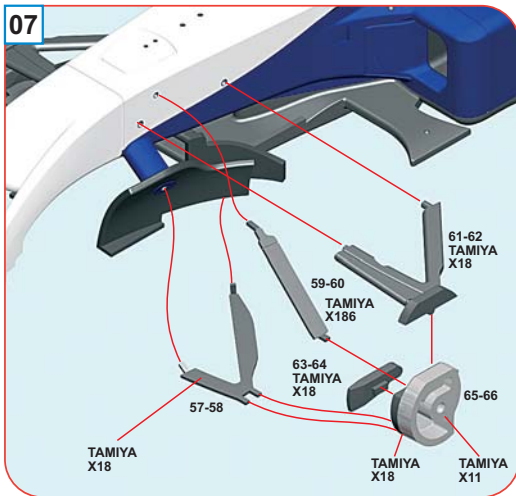
05

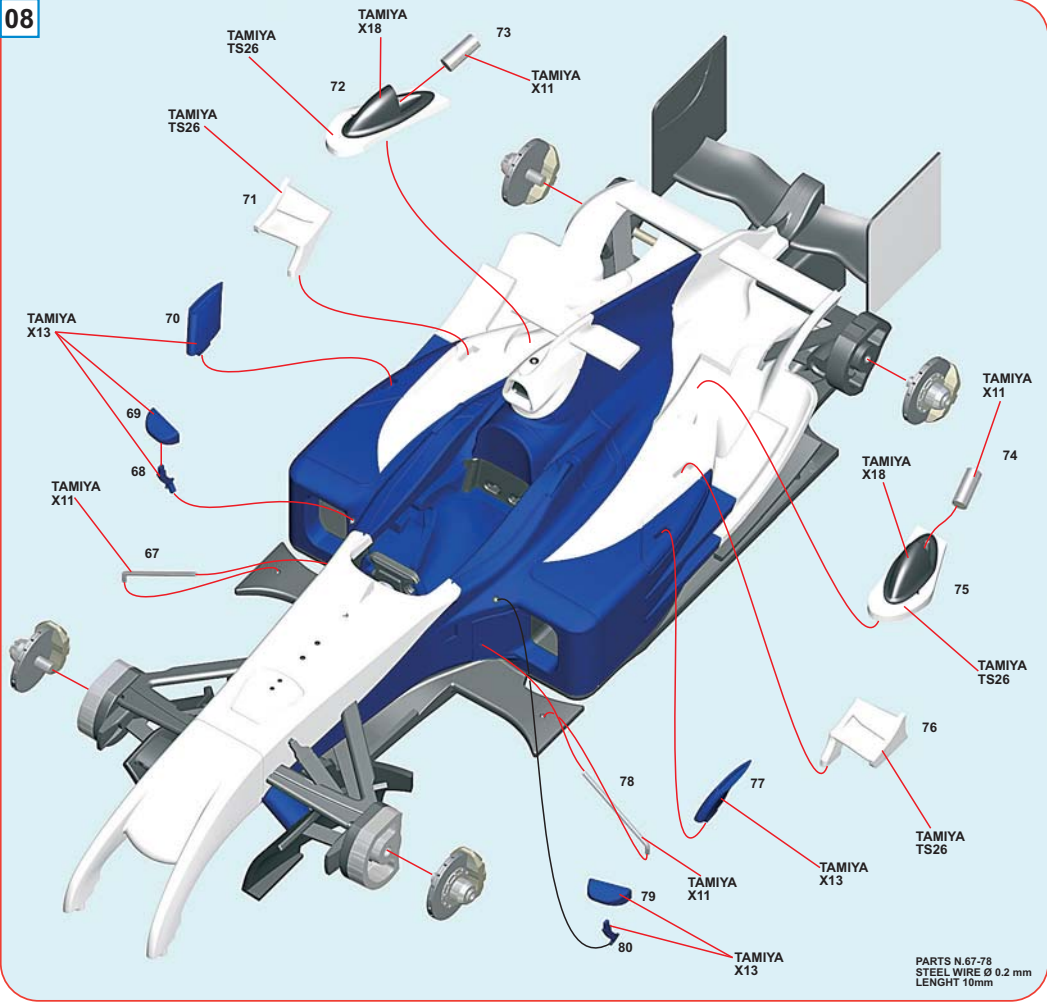


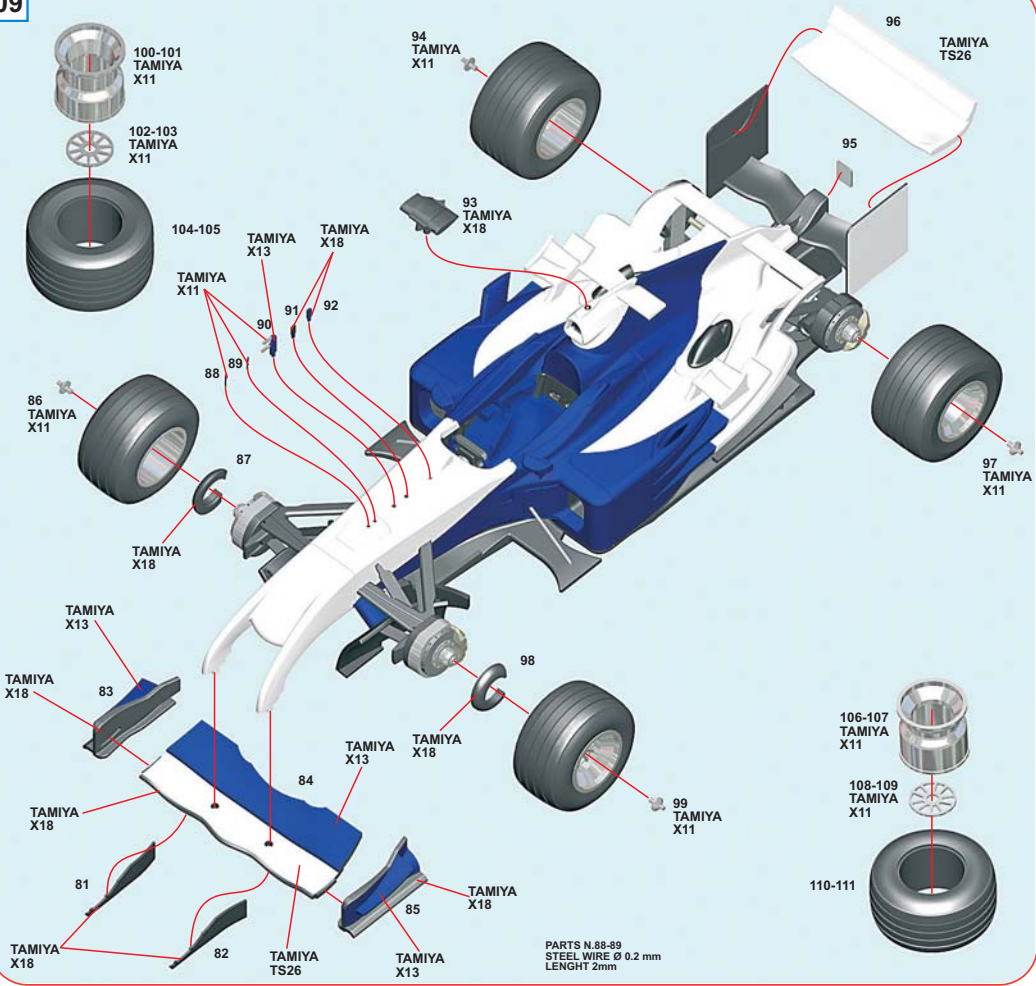
06



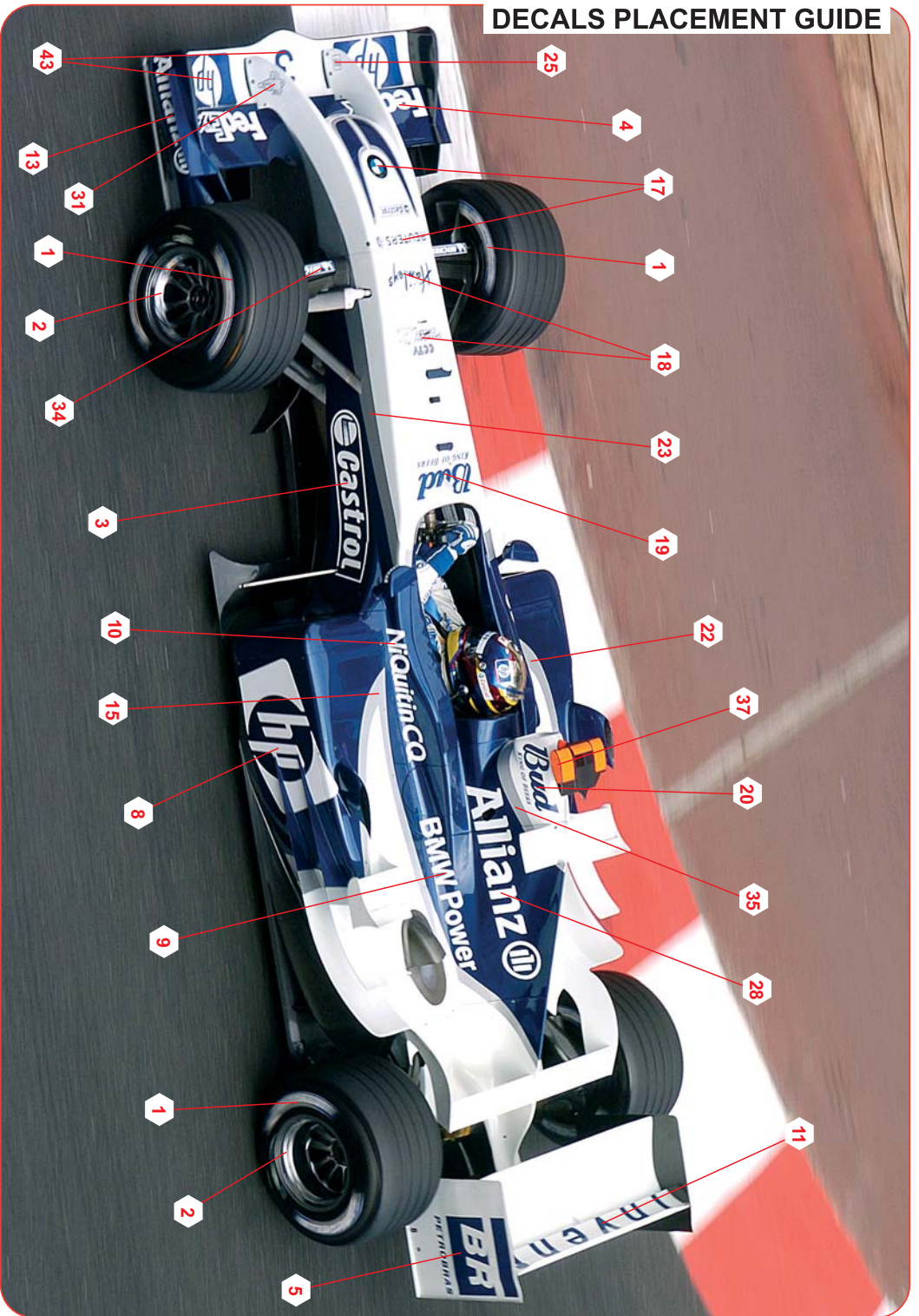
07







DECALS PLACEMENT GUIDE





33

33

21

